

QWCA-D84-N

WRD-84 to N

Features:
* Low VSWR

Applications:
* Wireless
* Transmitter
* Laboratory Test
* Radar

Electrical

Frequency: 0.84–2GHz
VSWR: 1.25 max.

Mechanical

RF Connectors: N
Interface: WRD-84
Flange: FPWRD84
Material: Aluminium

How To Order

QWCA-D84-X-Y

X: Connector type.

Y: End launch: E, Right angle: R.

E - End launch

R - Right angle (Outline A)

Connector naming rules:

N - N Male (Outline A)

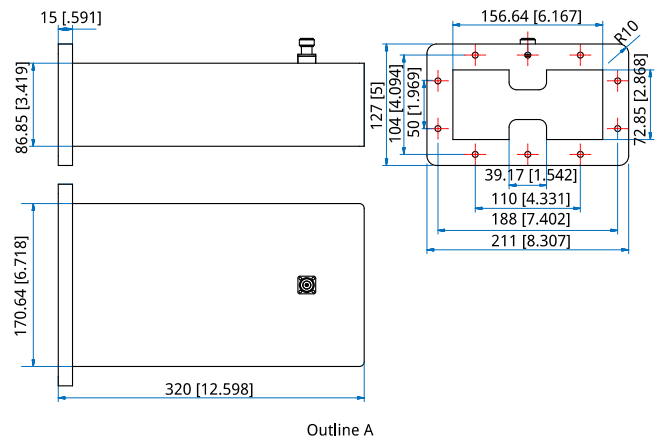
NF - N Female (Outline A)

Examples:

To order a waveguide to coax adapter, WR-D84 to N female, right angle, specify QWCA-D84-NF-R.

Customization is available upon request.

Outline Drawings



Unit: mm [in]

Tolerance: $\pm 0.2\text{mm}$ [$\pm 0.008\text{in}$]

QWCA-D110-S

WRD-110 to SMA

Features:
* Low VSWR

Applications:
* Wireless
* Transmitter
* Laboratory Test
* Radar

Electrical

Frequency: 11~26.5GHz
VSWR: 1.25 max.

Mechanical

RF Connectors: SMA
Interface: WRD-110
Flange: FPWRD110
Material: Aluminium

How To Order

QWCA-D110-X-Y

X: Connector type.

Y: End launch: E, Right angle: R.

E - End launch

R - Right angle (Outline A)

Connector naming rules:

S - SMA Male (Outline A)

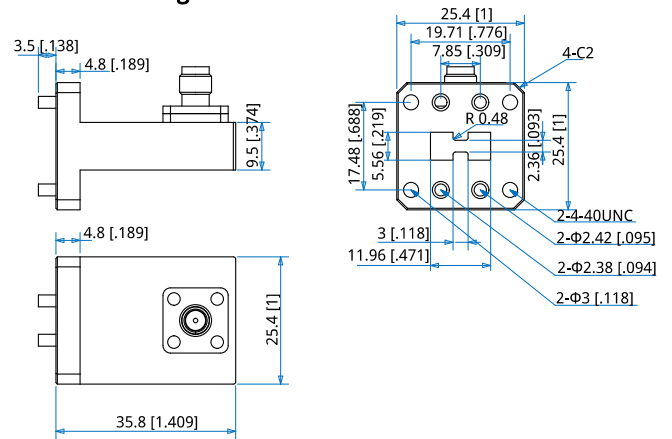
SF - SMA Female (Outline A)

Examples:

To order a waveguide to coax adapter, WR-D110 to SMA female, right angle, specify QWCA-D110-SF-R.

Customization is available upon request.

Outline Drawings



Outline A

Unit: mm [in]

Tolerance: ±0.2mm [±0.008in]

QWCA-D150-N

WRD-150 to N

Features:
* Low VSWR

Applications:
* Wireless
* Transmitter
* Laboratory Test
* Radar

Electrical

Frequency: 1.5~3.6GHz
VSWR: 1.35 max.

Mechanical

Coax Connectors: N
Waveguide Size: WRD-150
Flange: FPWRD150
Material: Aluminium

How To Order

QWCA-D150-X-Y

X: Connector type.

Y: End launch: E, Right angle: R.

E - End launch

R - Right angle (Outline A)

Connector naming rules:

N - N Male (Outline A)

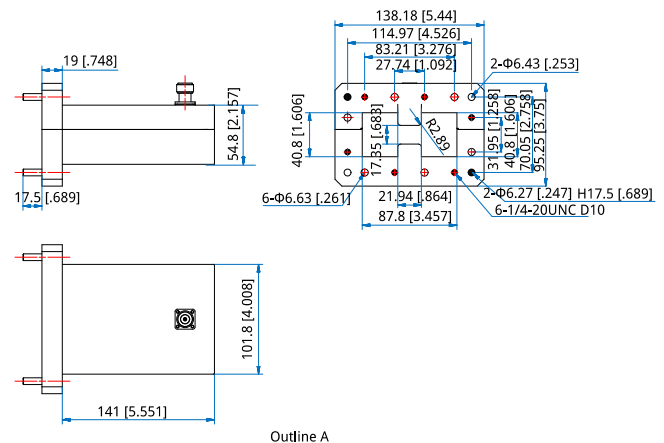
NF - N Female (Outline A)

Examples:

To order a waveguide to coax adapter, WR-D150 to N female, right angle, specify QWCA-D150-NF-R.

Customization is available upon request.

Outline Drawings



Unit: mm [in]

Tolerance: $\pm 0.2\text{mm}$ [$\pm 0.008\text{in}$]

QWCA-D180-K

WRD-180 to 2.92mm

Features:
* Low VSWR

Applications:
* Wireless
* Transmitter
* Laboratory Test
* Radar

Electrical

Frequency: 18~40GHz
VSWR: 1.4 max.

Mechanical

RF Connectors: 2.92mm
Interface: WRD-180
Flange: FPWRD180
Material: Aluminum

How To Order

QWCA-D180-X-Y

X: Connector type.

Y: End launch: E, Right angle: R.

E - End launch (Outline A)

R - Right angle

Connector naming rules:

K - 2.92mm Male (Outline A)

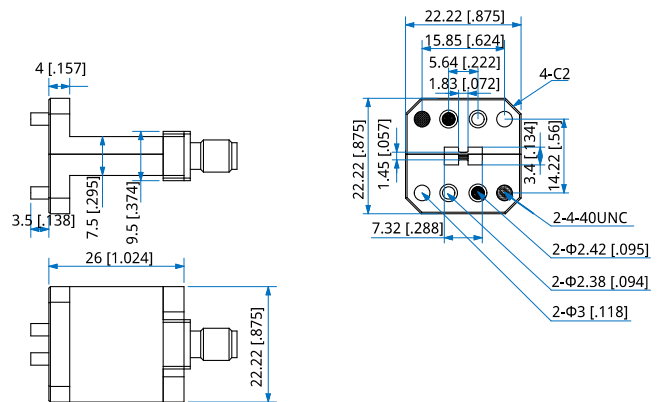
KF - 2.92mm Female (Outline A)

Examples:

To order a waveguide to coax adapter, WRD180 to 2.92mm female, right angle, specify QWCA-D180-KF-R.

Customization is available upon request.

Outline Drawings



Outline A

Unit: mm [in]

Tolerance: $\pm 0.2\text{mm}$ [$\pm 0.008\text{in}$]

QWCA-D200-N

WRD-200 to N

Features:
* Low VSWR

Applications:
* Wireless
* Transmitter
* Laboratory Test
* Radar

Electrical

Frequency: 2~6GHz
VSWR: 1.25 max.@2~4.8GHz
1.3 max.@2~6GHz

Mechanical

RF Connectors: N
Interface: WRD-200
Flange: FPWRD200
Material: Aluminium

How To Order

QWCA-D200-X-Y

X: Connector type.

Y: End launch: E, Right angle: R.

E - End launch

R - Right angle (Outline A)

Connector naming rules:

N - N Male (Outline A)

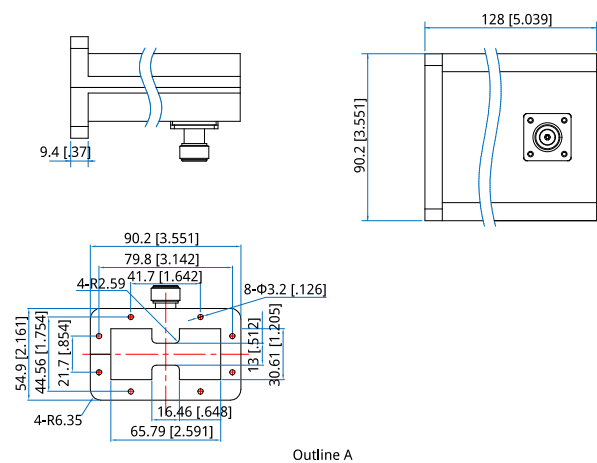
NF - N Female (Outline A)

Examples:

To order a waveguide to coax adapter, WR-D200 to N female, right angle, specify QWCA-D200-NF-R.

Customization is available upon request.

Outline Drawings



Unit: mm [in]

Tolerance: $\pm 0.2\text{mm}$ [$\pm 0.008\text{in}$]

QWCA-D250-7

WRD-250 to L29

Features:
* Low VSWR

Applications:
* Wireless
* Transmitter
* Laboratory Test
* Radar

Electrical

Frequency: 2.5~6GHz
VSWR: 1.5 max.
Insertion Loss: 0.3dB max.

Mechanical

RF Connectors*1: L29
Interface: WRD-250
Flange: FPWRD250
Material: Aluminium

[1] Mateable with 7mm.

How To Order

QWCA-D250-X-Y

X: Connector type.

Y: End launch: E, Right angle: R.

E - End launch

R - Right angle (Outline A)

Connector naming rules:

7 - L29 Male (Outline A)

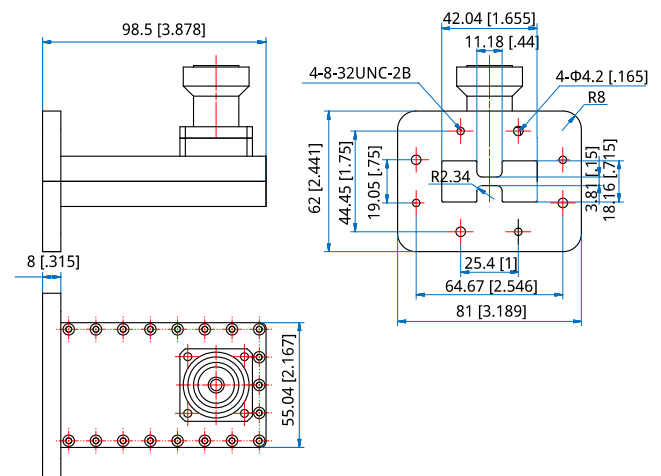
7F - L29 Female (Outline A)

Examples:

To order a waveguide to coax adapter, WR-D250 to L29 female, right angle, specify QWCA-D250-7F-R.

Customization is available upon request.

Outline Drawings



Outline A

Unit: mm [in]

Tolerance: $\pm 0.2\text{mm}$ [$\pm 0.008\text{in}$]

QWCA-D250-N

WRD-250 to N

Features:
* Low VSWR

Applications:
* Wireless
* Transmitter
* Laboratory Test
* Radar

Electrical

Frequency: 2.6~7.8GHz
VSWR: 1.4 max.
Insertion loss: 0.4dB max.

Mechanical

RF Connectors: N
Interface: WRD-250
Flange: FPWRD250
Material: Aluminium

How To Order

QWCA-D250-X-Y

X: Connector type.

Y: End launch: E, Right angle: R.

E - End launch

R - Right angle (Outline A)

Connector naming rules:

N - N Male (Outline A)

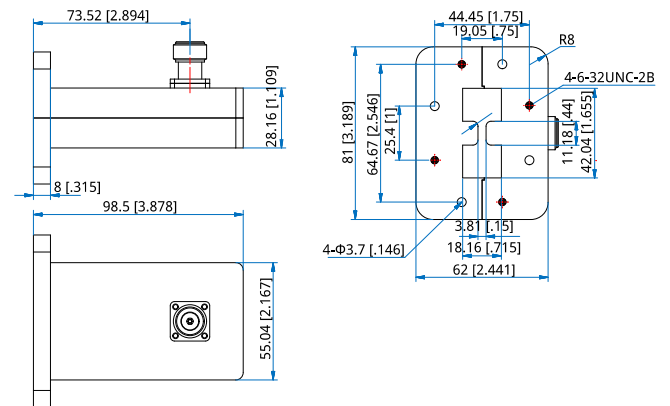
NF - N Female (Outline A)

Examples:

To order a waveguide to coax adapter, WR-D250 to N female, right angle, specify QWCA-D250-NF-R.

Customization is available upon request.

Outline Drawings



Outline A

Unit: mm [in]

Tolerance: $\pm 0.2\text{mm}$ [$\pm 0.008\text{in}$]

QWCA-D350-N

WRD-350 to N

Features:
* Low VSWR

Applications:
* Wireless
* Transmitter
* Laboratory Test
* Radar

Electrical

Frequency: 3.5~8.2GHz
VSWR: 1.4 max.

Mechanical

RF Connectors: N
Interface: WRD-350
Flange: FPWRD350
Material: Aluminium

How To Order

QWCA-D350-X-Y

X: Connector type.

Y: End launch: E, Right angle: R.

E - End launch

R - Right angle (Outline A)

Connector naming rules:

N - N Male (Outline A)

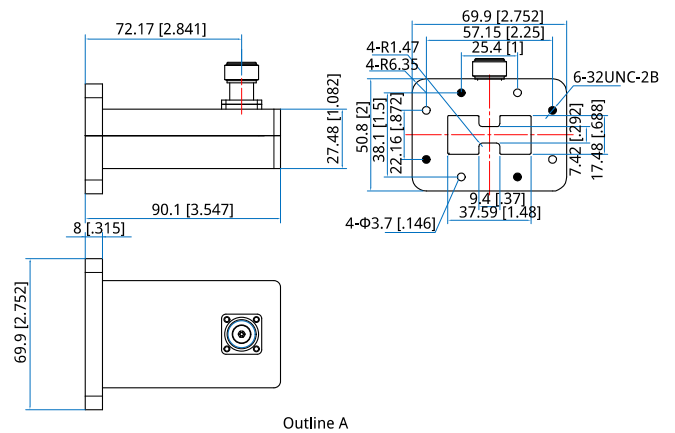
NF - N Female (Outline A)

Examples:

To order a waveguide to coax adapter, WR-D350 to N female, right angle, specify QWCA-D350-NF-R.

Customization is available upon request.

Outline Drawings



Unit: mm [in]

Tolerance: $\pm 0.2\text{mm}$ [$\pm 0.008\text{in}$]

QWCA-D475-N

WRD-475 to N

Features:
* Low VSWR

Applications:
* Wireless
* Transmitter
* Laboratory Test
* Radar

Electrical

Frequency: 4.75~11GHz
VSWR: 1.2 max.

Mechanical

RF Connectors: N
Interface: WRD-475
Flange: FPWRD475D24
Material: Aluminium

How To Order

QWCA-D475-X-Y

X: Connector type.
Y: End launch: E, Right angle: R.
E - End launch
R - Right angle (Outline A)

Connector naming rules:

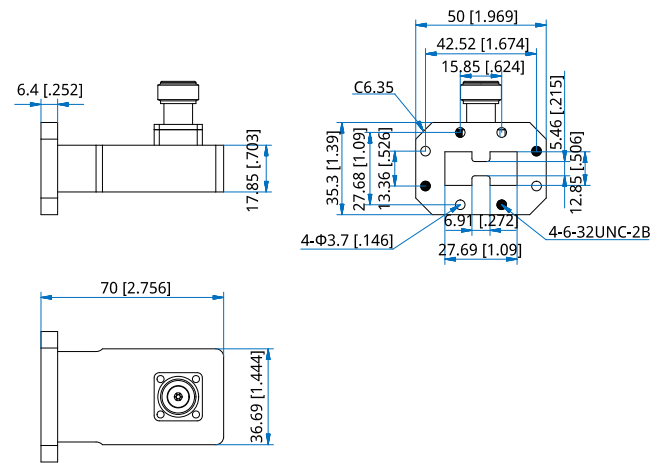
N - N Male (Outline A)
NF - N Female (Outline A)

Examples:

To order a waveguide to coax adapter, WR-D475 to N female, right angle, specify QWCA-D475-NF-R.

Customization is available upon request.

Outline Drawings



Outline A

Unit: mm [in]

Tolerance: $\pm 0.2\text{mm}$ [$\pm 0.008\text{in}$]

QWCA-D580-S

WRD-580 to SMA

Features:
* Low VSWR

Applications:
* Wireless
* Transmitter
* Laboratory Test
* Radar

Electrical

Frequency: 5.8~16GHz
VSWR: 1.4 max.

Mechanical

RF Connectors: SMA
Interface: WRD-580
Flange: FPWRD580
Material: Aluminium

How To Order

QWCA-D580-X-Y

X: Connector type.

Y: End launch: E, Right angle: R.

E - End launch

R - Right angle (Outline A)

Connector naming rules:

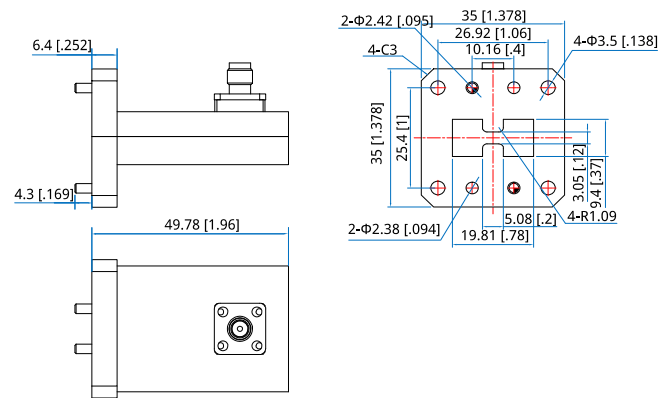
S - SMA Male (Outline A)

SF - SMA Female (Outline A)

Examples:

To order a waveguide to coax adapter, WR-D580 to SMA female, right angle, specify QWCA-D580-SF-R.

Outline Drawings



Outline A

Unit: mm [in]

Tolerance: $\pm 0.2\text{mm}$ [$\pm 0.008\text{in}$]

QWCA-D650-S

WRD-650 to SMA

Features:
* Low VSWR

Applications:
* Wireless
* Transmitter
* Laboratory Test
* Radar

Electrical

Frequency: 6~18GHz
VSWR: 1.25 max.

Mechanical

RF Connectors: SMA
Interface: WRD-650
Flange: FPWRD650
Material: Aluminium

How To Order

QWCA-D650-X-Y

X: Connector type.
Y: End launch: E, Right angle: R.
E - End launch
R - Right angle (Outline A)

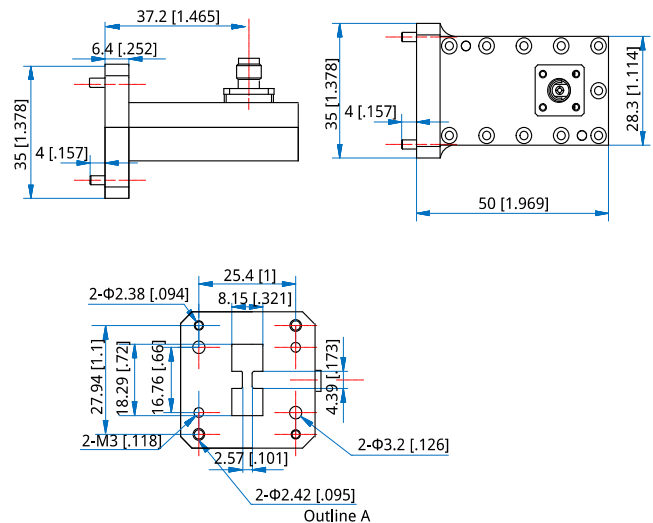
Connector naming rules:

S - SMA Male (Outline A)
SF - SMA Female (Outline A)

Examples:

To order a waveguide to coax adapter, WR-D650 to SMA female, right angle, specify QWCA-D650-SF-R.

Outline Drawings



Unit: mm [in]

Tolerance: ±0.2mm [±0.008in]

QWCA-D750-N

WRD-750 to N

Features:
* Low VSWR

Applications:
* Wireless
* Transmitter
* Laboratory Test
* Radar

Electrical

Frequency: 7.5~18GHz
VSWR: 1.3 max.

Mechanical

Coax Connectors: N
Waveguide Size: WRD-750
Flange: FPWRD750
Material: Aluminium

How To Order

QWCA-D750-X-Y

X: Connector type.

Y: End launch: E, Right angle: R.

E - End launch

R - Right angle (Outline A)

Connector naming rules:

N - N Male (Outline A)

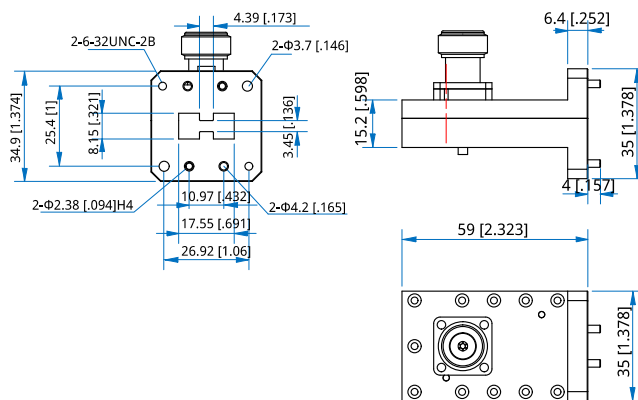
NF - N Female (Outline A)

Examples:

To order a waveguide to coax adapter, WR-D750 to N female, right angle, specify QWCA-D750-NF-R.

Customization is available upon request.

Outline Drawings



Outline A

Unit: mm [in]

Tolerance: $\pm 0.2\text{mm}$ [$\pm 0.008\text{in}$]



ООО «4TECT»

Телефон: +7 (499) 685-4444

info@4test.ru

www.4test.ru